

Working Pressure & Temperature

Max Working Pressure: 300PSI / 21 Bar
 Working Temperature: -10°C to 110°C (14°F to 230°F)
 Fusion bonded epoxy coated interior and exterior RAL3002

Flanged Ends: Raised Flanges
 ANSI B16.1 Class 150
 EN1092-2 PN10/PN16 (PN10 up to 6")

Valve Standard: Conforms to AWWA C508,
 Clear Waterway

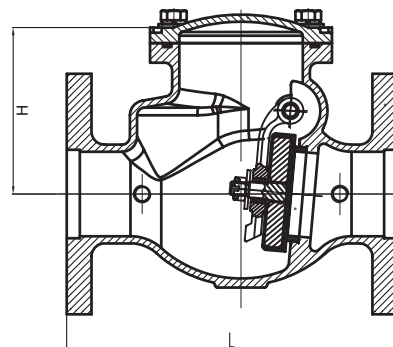


Material List

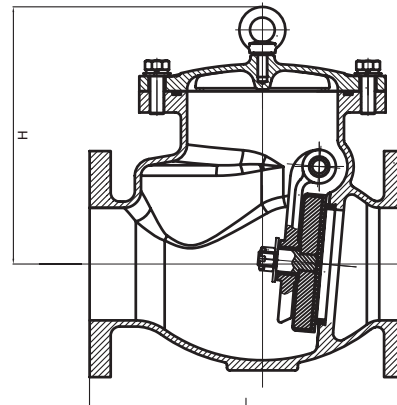
Component	Material
Body	Ductile Iron ASTM A536 65-45-12
Cover	Ductile Iron ASTM A536 65-45-12
Clapper	Ductile Iron ASTM A536 65-45-12 +EPDM
Clapper Arm	Ductile Iron ASTM A536 65-45-12
Hinge Pin	Stainless Steel AISI 304
Seat	Bronze ASTM B62
Seat	Stainless Steel AISI 304

Dimensions Inch (mm) and Weight lbs (kg)

DN	L	H	Weight
2 (50)	8.00 (203)	4.60 (117)	23.81 (10.8)
2 ½ (65)	10.00 (254)	5.04 (128)	34.72 (15.75)
3 (80)	11.00 (279)	5.21 (132.5)	43.65 (19.8)
4 (100)	13.00 (330)	8.76 (222.5)	67.46 (30.6)
5 (125)	14.00 (356)	11.42 (290)	115.08 (52.2)
6 (150)	16.00 (406)	11.69 (297)	133.53 (60.57)
8 (200)	19.50 (495)	14.37 (365)	238.1 (108)
10 (250)	22.00 (559)	16.34 (417.5)	345.24 (156.6)
12 (300)	26.00 (660)	17.83 (453)	488.1 (221.4)



2"~3"



4"~12"

Design and materials subject to change without notice.

Ordering Information

Description	Size (mm)	Part Number
RASCO, FxF, 300PSI FCV, L501F (PN10/PN16)	50 (2")	7U99002363
RASCO, FxF, 300PSI FCV, L501F (PN10/PN16)	65 (2 ½")	7U99002364
RASCO, FxF, 300PSI FCV, L501F (PN10/PN16)	80 (3")	7U99002365
RASCO, FxF, 300PSI FCV, L501F (PN10/PN16)	100 (4")	7U99002366
RASCO, FxF, 300PSI FCV, L501F (PN10/PN16)	125 (5")	7U99002367
RASCO, FxF, 300PSI FCV, L501F (PN10/PN16)	150 (6")	7U99002368
RASCO, FxF, 300PSI FCV, L501F (PN16)	200 (8")	7U99002369
RASCO, FxF, 300PSI FCV, L501F (PN16)	250 (10")	7U99002370
RASCO, FxF, 300PSI FCV, L501F (PN16)	300 (12")	7U99002371

Description	Size (mm)	Part Number
RASCO, FxF, 300PSI FCV, L501F (ANSI)	50 (2")	7U99002372
RASCO, FxF, 300PSI FCV, L501F (ANSI)	65 (2 ½")	7U99002373
RASCO, FxF, 300PSI FCV, L501F (ANSI)	80 (3")	7U99002374
RASCO, FxF, 300PSI FCV, L501F (ANSI)	100 (4")	7U99002375
RASCO, FxF, 300PSI FCV, L501F (ANSI)	150 (6")	7U99002376
RASCO, FxF, 300PSI FCV, L501F (ANSI)	200 (8")	7U99002377
RASCO, FxF, 300PSI FCV, L501F (ANSI)	250 (10")	7U99002378
RASCO, FxF, 300PSI FCV, L501F (ANSI)	300 (12")	7U99002379