

### Material List

No.	Component	Material
1	Upper shaft sealing nut	WCB ASTM A216
2	Shaft seal	EPDM ASTM D2000
3	Body	DI ASTM A536
4	Upper shaft	SS416 ASTM A582
5	Disc	DI + EPDM
6	Lower shaft	SS416 ASTM A582
7	Lower shaft sealing nut	WCB ASTM A216
8	Stem bushing (2.5" to 6")	PTFE ASTM D4894
8	Stem bushing (8")	C95400 ASTM B148
9	Gear box	

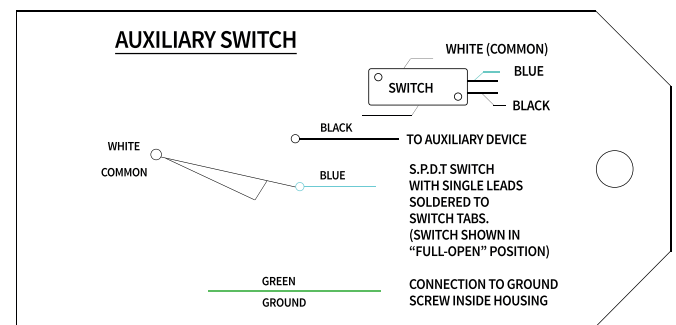
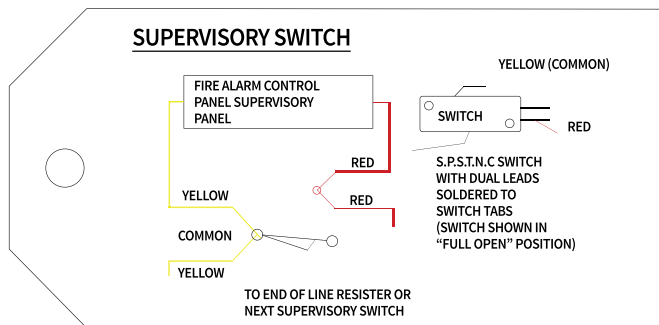
### Carried Standard

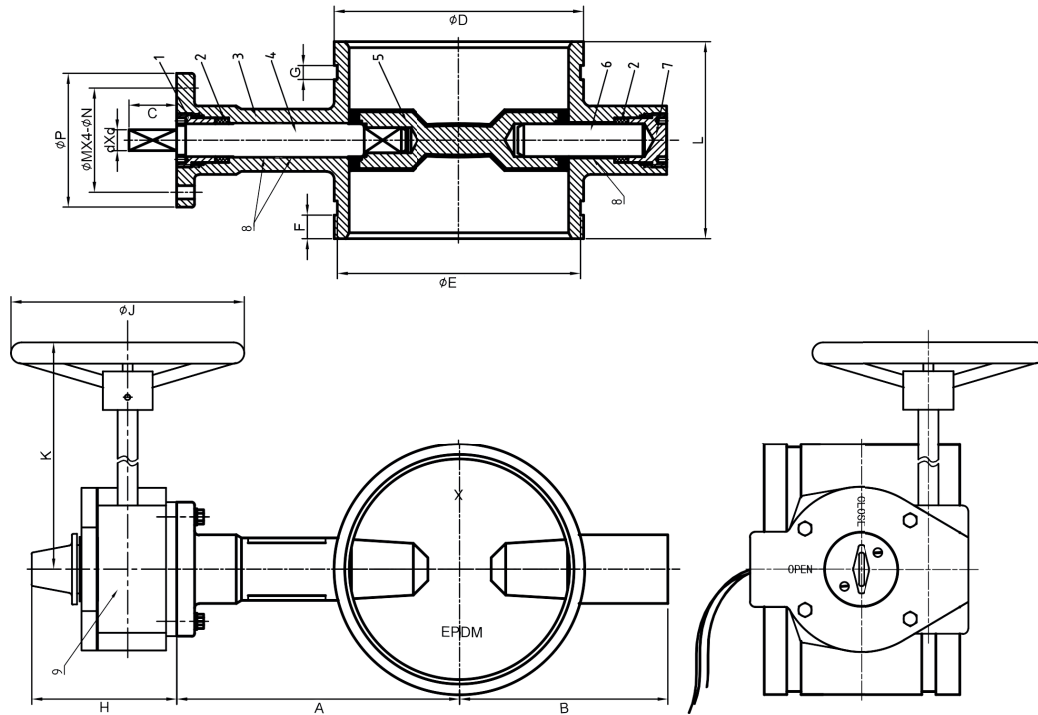
Max Working Pressure:	300PSI / 21.4 Bar
Design Standard:	API609
Groove Standard:	ANSI/AWWA C606
Top Flange Standard:	ISO 5211
Test Standard:	API 598
Temperature:	from -20 ° C to 110° C

Design and materials are subject to change without notice.



### Wiring Diagram





### Dimensions (mm)

DN	A	B	C	D	E	F	G	H	K	J	P	M	N	d	L	Weight	
65 (2.5")	125	95	32	73	69.1	15.9	7.9	111	153	218	152	90	70	9	10	96.4	8.4kg
				76.1	72.3												
80 (3")	140	100	32	88.9	84.9	15.9	7.9	111	153	218	152	90	70	9	11	97	9.1kg
100 (4")	160	100	32	114.3	110.1	15.9	9.5	111	153	218	152	90	70	9	14	115.1	10.1kg
165 (6")	190	140	32	165.1	160.9	15.9	9.5	111	153	218	200	90	70	9	16	132.4	14.7kg
				168.3	164												
200 (8")	230	175	32	219.1	214.4	19	11.1	126	210	232	290	125	102	12	16	147.4	28.7kg
				216.3	211.6												

### Ordering Information

Description	Size (mm)	Part Number
Butterfly Valve FM/UL Grooved 300 PSI (Rasco) (73mm)	65 (2.5")	7U99002223
Butterfly Valve FM/UL Grooved 300 PSI (Rasco) (76mm)	65 (2.5")	7U99002224
Butterfly Valve FM/UL Grooved 300 PSI (Rasco)	80 (3")	7U99002225
Butterfly Valve FM/UL Grooved 300 PSI (Rasco)	100 (4")	7U99002226
Butterfly Valve FM/UL Grooved 300 PSI (Rasco) (165mm)	165 (6")	7U99002228
Butterfly Valve FM/UL Grooved 300 PSI (Rasco) (168mm)	168 (6")	7U99002227
Butterfly Valve FM/UL Grooved 300 PSI (Rasco)	200 (8")	7U99002229