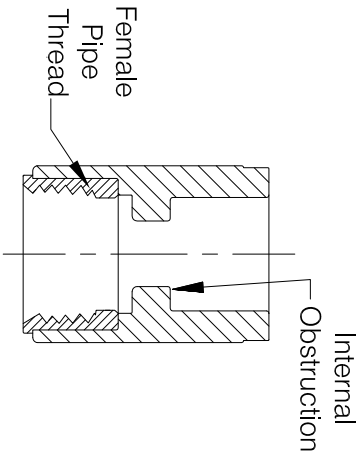
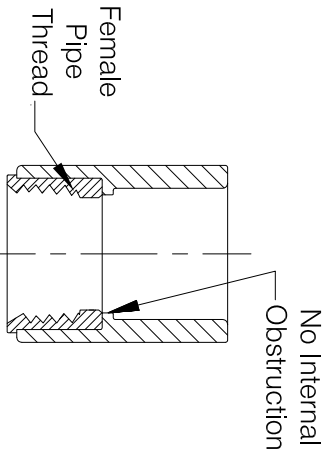


**\*CAUTION\***

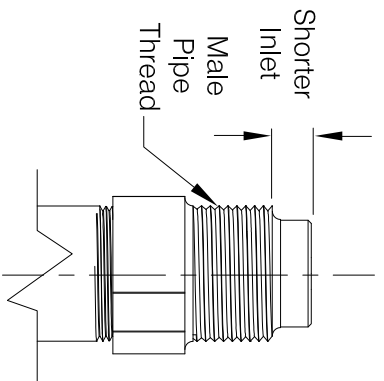
RELIABLE DRY SPRINKLERS MAY BE INSTALLED IN A LISTED CPVC SPRINKLER FITTING. ONLY UPON VERIFICATION THAT THE FITTING DOES NOT INTERFERE WITH THE SPRINKLER'S INLET. Do not install dry sprinklers with standard inlets into CPVC fittings that have an internal obstruction; this will damage the sprinkler, the fitting, or both. Short Inlet ("PL") versions of Reliable dry sprinklers are available that may or may not be compatible with fittings having internal obstructions in existing installations. Sprinklers with the short inlet ("PL") should only be installed in CPVC fittings of wet-pipe systems. In all cases, verify sprinkler and fitting dimensions prior to installation to avoid interference.



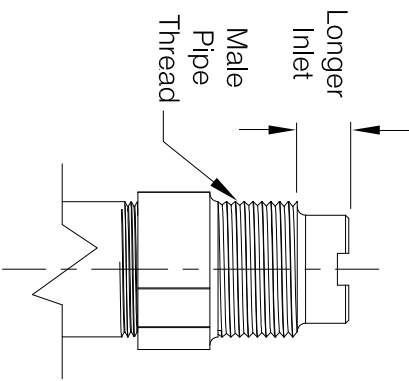
CPVC Fitting with Internal Obstruction



CPVC Fitting - No Internal Obstruction



Dry Sprinkler Short Inlet ("PL")



Dry Sprinkler Standard Inlet

BE SURE TO ORDER THE CORRECT SPRINKLERS FOR YOUR APPLICATION